



ABC final report

探究人 SIRT1 蛋白的潜在功能

Little did we know-----the Potential Function of SIRT1 in Human

G14: Zhang Z, Tian F,
Wang K, Jiang S

Neuro
Protection
Glucose
Inflammation
Metabolism
Stability

Enlongator Protein

The Potential Function



● Mapping & Sequencing

● Genes & Gene Predictions

● mRNA & EST & Variation

● Expression & Regulation



● Function & PTM & Processing

● Subcellular Location & Family

● Expressing & Interaction

● Cross-Reference & Domains



[Genomes](#)

[Genome Browser](#)

[Tools](#)

[Mirrors](#)

[Downloads](#)

[My Data](#)

[View](#)

[Help](#)

[About Us](#)



[Genomes](#)

[Genome Browser](#)

[Tools](#)

[Mirrors](#)

[Downloads](#)

[My Data](#)

[View](#)

[Help](#)

[About Us](#)

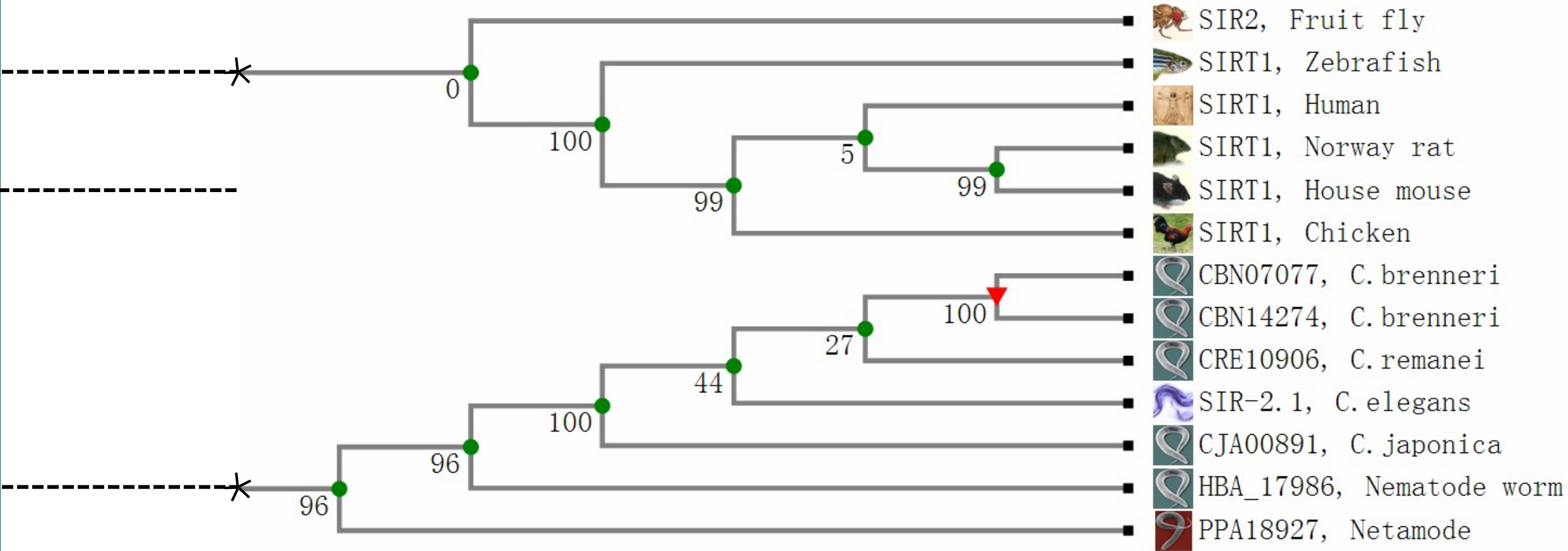
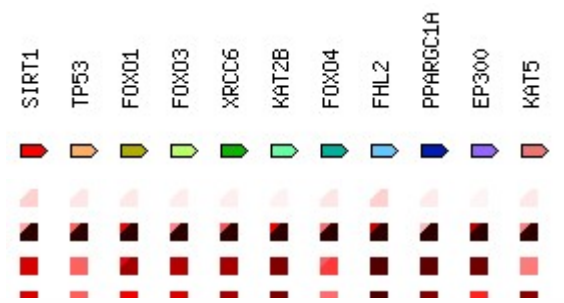


Uniprot



Striae Fam

Bacteria (9 taxa)
 Mammalia (16 taxa)
 Neognathae (2 taxa)
 Opalia carnificaria



Expression Atlas

Examples: [ASPM](#), [REACT_200624](#), [ENSMUSG00000021789](#),
"zinc finger"

 Differential Expression **24 results**

Showing 24 results

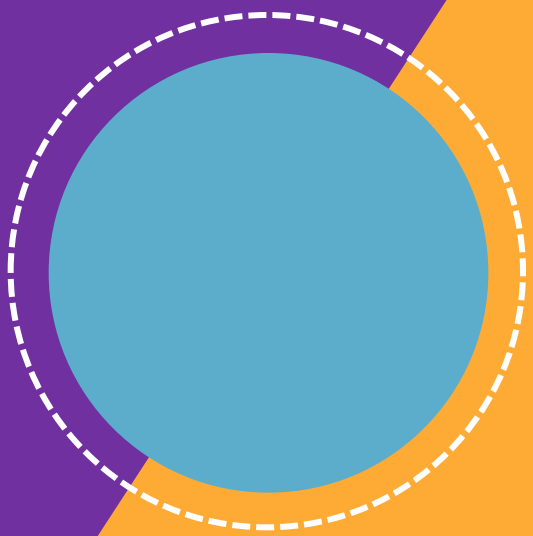
cutoffs: adjusted p -value 0.05 \log_2 -fold change 1.0

Comparison	Log ₂ -fold change
'100 microgram per milliliter trovafloxacin' vs 'none'	
'influenza A virus' vs 'none' in 'wild type'	
'adrenocortical carcinoma' vs 'normal'	
'teratozoospermia' vs 'normospermic'	
'miR15a/miR16-1' vs 'empty vector'	
'cycloheximide; 17beta-estradiol' vs 'DMSO control; 17beta-estradiol'	
'NKAES-derived NK cells' vs 'primary human NK cells' in 'none'	



?

**TO MY MOST
RESPECTED TEACHER
LUO J**



G14

THANK YOU!